



TILT SWITCH TYPE H

CODING DESCRIPTION

| TYPE | CONTACT ARRANGEMENT | CABLE TYPE | VOLTAGE |
|------|----------------------|---|---|
| H | 2. = N/C 3. = N/O | O = ORANGE B = BLACK NEOPRENE S = SCREENED U = ULTRA VIOLET STABILISED A = ARMoured | L = 24V AC or DC 0.25A H = 440V AC 0.25A 120V DC 0.2A |

CABLE TYPE

- O = Orange PVC covered general purpose type suitable for all voltages up to 440V AC and 75°C.
- B = Black neoprene covered type suitable for all voltages up to 440V AC and 90°C.
- S = Screened PVC covered type suitable for all voltages up to 440V AC and 90°C.
- U = Black ultra violet light stabilised, PVC covered type, suitable for all voltages up to 440V AC and 90°C.

CONSTRUCTION

Zinc electro plated heavy duty steel.
Fitted with water tight cable gland.
Built to IP 66D.

LENGTH OF CABLE

6 metres standard.

WEIGHT

The total weight of unit = 1.95kg.

USAGE

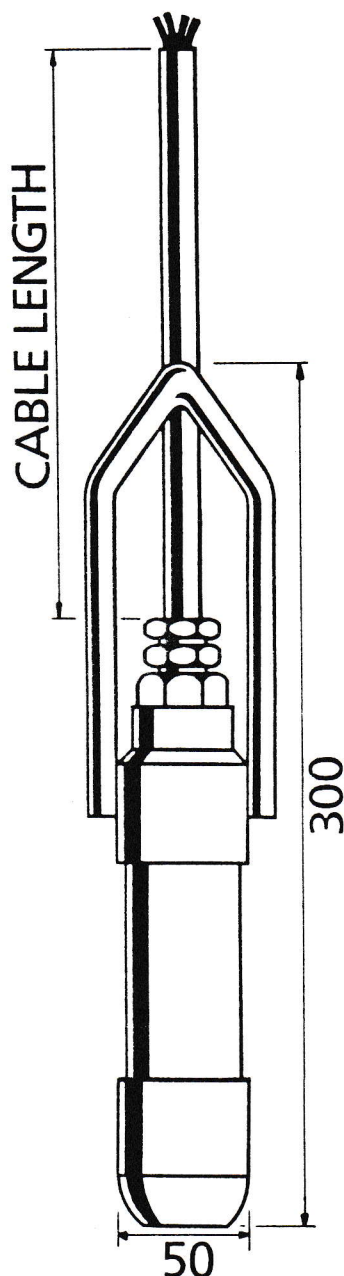
To switch relays, indicating lights, PLC's direct.

OPTION

Use with control switch amplifier TYPE EPT3 — R or
TYPE EPT3 — R — A

ORDERING EXAMPLE FOR A CUSTOMER REQUIREMENT

Type H Tilt Switch with one N/C contact.
General purpose cable. Suitable for 240V AC.



TILT SWITCH H-2-O-H

