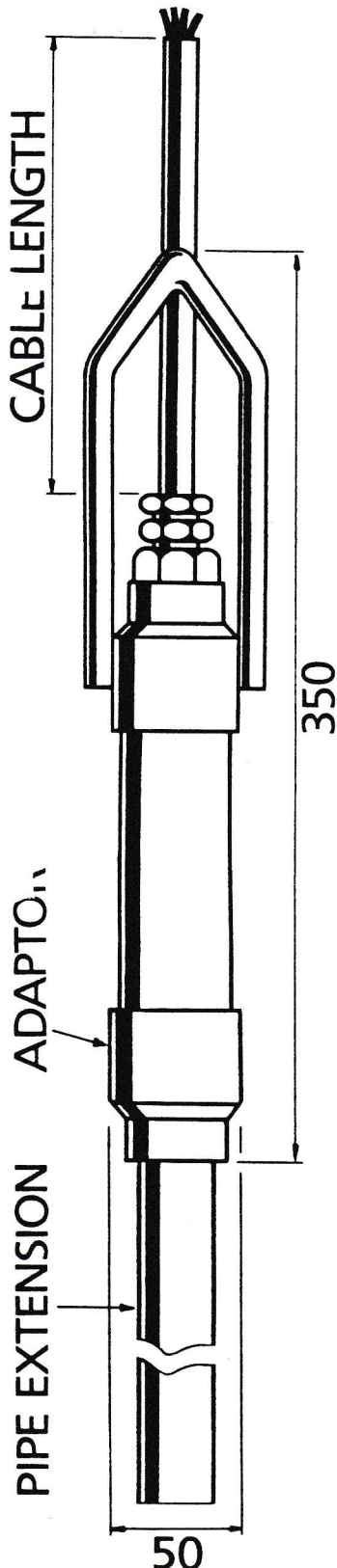




# TILT SWITCH TYPE J

## CODING DESCRIPTION

TYPE	CONTACT ARRANGEMENT	CABLE TYPE	VOLTAGE
J	1. = N/O N/C 4. = N/C N/C 5. = N/O N/O	B = BLACK NEOPRENE S = SCREENED U = ULTRA VIOLET STABILISED A = ARMoured	L = 24V AC or DC 0.25A H = 440V AC 0.25A 120V DC 0.2A



## CABLE TYPE

- O = Orange PVC covered general purpose type suitable for all voltages up to 440V AC and 75°C.
- B = Black neoprene covered type suitable for all voltages up to 440V AC and 90°C.
- S = Screened PVC covered type suitable for all voltages up to 440V AC and 90°C.
- U = Black ultra violet light stabilised, PVC covered type, suitable for all voltages up to 440V AC and 90°C.

## CONSTRUCTION

Zinc electro plated heavy duty steel.  
Fitted with water tight cable gland.  
Adaptor fitted to allow 3/4 inch B.S.P. pipe extension.  
Built to IP 66D.

## LENGTH OF CABLE

6 metres standard.

## WEIGHT

The total weight of unit = 2.10kg.

## USAGE

To switch relays, indicating lights, PLC's direct.

## OPTION

Use with control switch amplifier TYPE EPT3 — R or  
TYPE EPT3 — R — A

## ORDERING EXAMPLE FOR A CUSTOMER REQUIREMENT

Type J Tilt Switch with one N/O and one N/C contact.  
General purpose cable. Suitable for 240V AC.

**TILT SWITCH J-1-O-H**

