

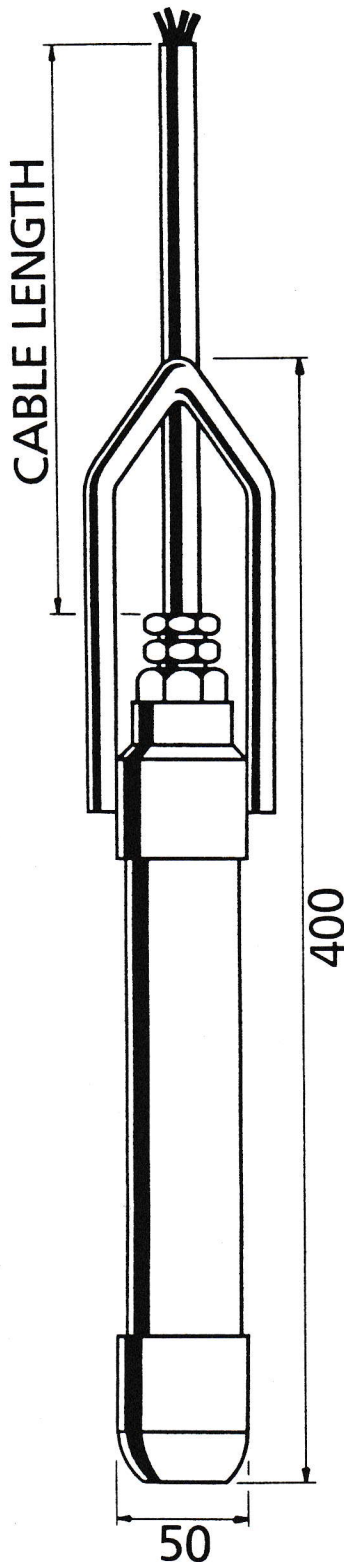
# TILT SWITCH TYPE TSHT

## HIGH TEMPERATURE (200°C)



### CODING DESCRIPTION

TYPE	CONTACT ARRANGEMENT	CABLE TYPE	VOLTAGE
TSHT	2. = N/C	S = SILICON RUBBER SF = SILICON RUBBER FIBREGLASS COVERED SFS = SILICON RUBBER FIBREGLASS SLEEVED	L = 24V AC or DC 0.25A



### CABLE TYPE

S = Silicon rubber. Suitable for 200°C  
 SF = Silicon rubber. Fibreglass covered. Suitable for 200°C.  
 SFS = Silicon rubber. Fibreglass sleeved. Suitable for 200°C.

### CONSTRUCTION

Zinc electro plated heavy duty steel.

### LENGTH OF CABLE

6 metres standard.

### WEIGHT

The total weight of unit = 2.30kg.

### USAGE

To switch relays, indicating lights, PLC's direct.

### OPTION

Use with control switch amplifier TYPE EPT3 — R or  
 TYPE EPT3 — R — A

### ORDERING EXAMPLE FOR A CUSTOMER REQUIREMENT

Type TSHT Tilt Switch with one N/C contact.  
 Silicon rubber fibreglass covered cable. Suitable for 24V DC.

**TILT SWITCH TSHT-2-SF-L**

